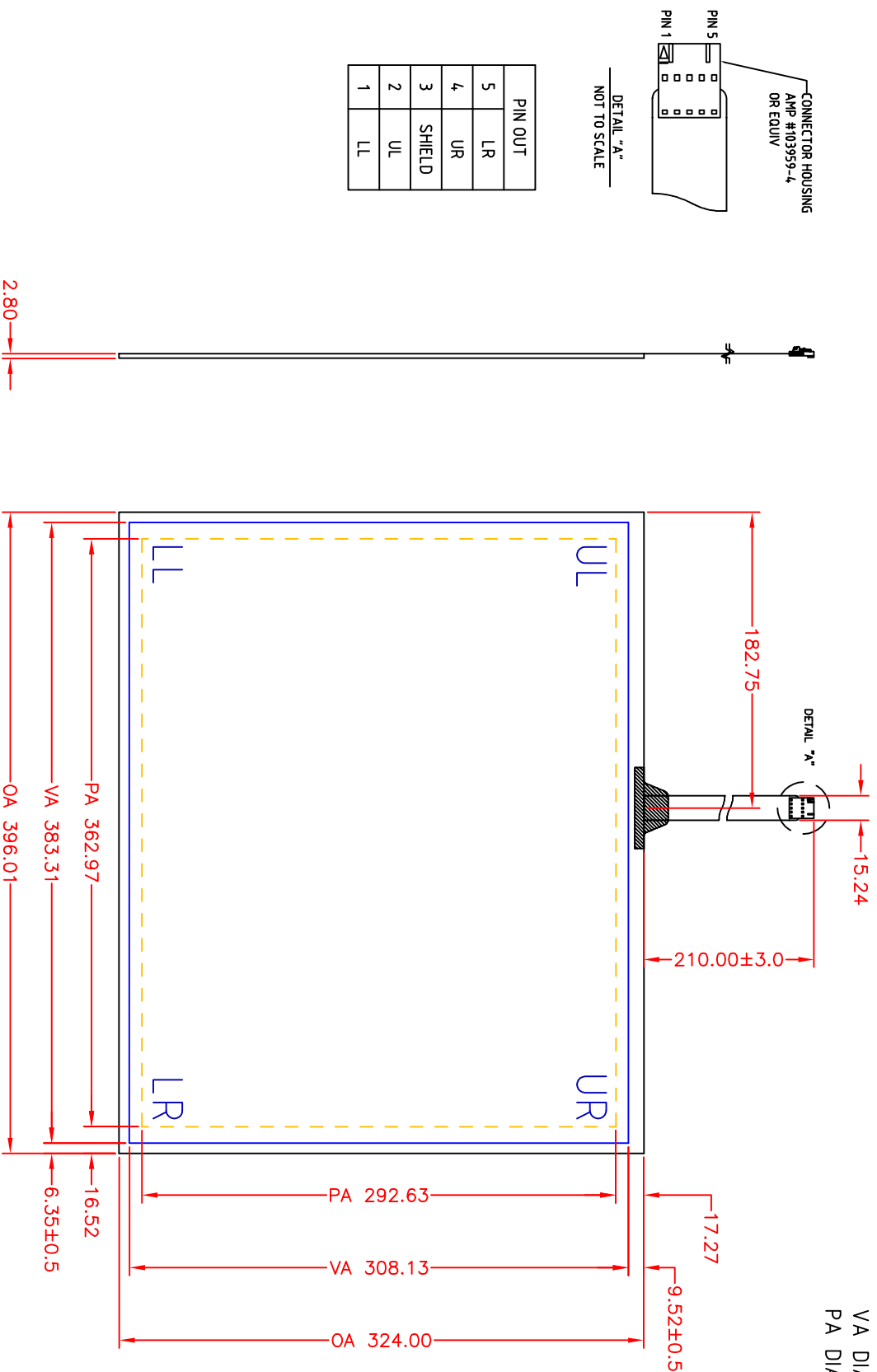


OA DIAGONAL : 511.66 [20.14"] (REF)  
 VA DIAGONAL : 491.80 [19.36"] (REF)  
 PA DIAGONAL : 466.24 [18.36"] (REF)



PIN OUT	
5	LR
4	UR
3	SHIELD
2	UL
1	LL

NOTES :  
 1. Tail type : FPC

DIMENSIONS		TOLERANCES UNLESS OTHERWISE SPECIFIED		TITLE		NOTICE OF PROPRIETARY RIGHTS	
MM		X	±	Damo 達諾光電股份有限公司		The document is proprietary property of Damo Tech Corp Ltd, and may not be reproduced or distributed without Damo Tech authorization.	
		.XX	±0.3	Capacitive Touch Sensor			
		.XXX	±0.15	396.01 x 324.00 x 2.80			
		ANGLES	±1°	F1-19412APA-N0		DRAWN BY Ethan Chou	
THIRD ANGLE PROJECTION		DO NOT SCALE DRAWING		P/N	REV.	SHEET	DRAWN DATE
		1 : 1		F1-19412APA-N0	A-02	1 of 1	2009-10-08
SCALE		DATE		DRAWN BY		DRAWN DATE	
1 : 1		2009-10-08		Ethan Chou		2009-10-08	
DATE		CHANGE NOTICE		DRAWN DATE		DRAWN DATE	
2007-03-06				2009-10-08		2009-10-08	
H.V				E.C		E.C	
REV				A-02		A-02	
INITIAL RELEASE PER RPO				TOTAL LENGTH 2023mm			
				A-01			