

XHB552-EUK



**INAVATION AWARDS**  
TECHNOLOGY WINNER 2019



# 55" Xtreme™ High Bright Outdoor Display

There has never been an outdoor daylight readable display built to withstand the harsh outdoor elements like the Peerless-AV® Xtreme™ High Bright. Featuring a fully sealed, IP68 Rated design and a patented Dynamic Thermal Transfer™ System, Xtreme High Bright Outdoor Displays are maintenance-free, with no fans, vents or filters, and are fully protected against water, dust, moisture and even insects. The display's cover glass is optically bonded, which increases the perceived contrast ratio and cuts down on glare, providing amazing picture quality even in direct sunlight. With an operating temperature range of -35°C to 60°C, Xtreme Displays are designed to thrive year-round outside, without worry of extreme hot or cold temperature waves. This High Bright line of commercial displays offer 2500nits of light output to combat high ambient lighting conditions, while the ambient light sensor automatically adjusts the display's brightness to optimize the power consumption and enhance the viewing experience. Providing unmatched capabilities, Xtreme High Bright Outdoor Displays are the perfect digital signage or entertainment solution for any professional application.

All Weather Rated (IP68)



Operating Temperature Range:  
-35°C to 60°C

- Optically bonded, anti-reflective cover glass increases the perceived contrast ratio and cuts down on glare, providing amazing picture quality, even in direct sunlight
- Daylight readable with LED backlight and full HD 1080p resolution for a bright, crisp picture
- Includes Quarter Wave Plate polarizer, allowing for portrait and landscape installations
- IPS panel provides colour accuracy, even at the harshest of angles
- Remote and Local monitoring, supported via IP addressable user interface, for temperature, humidity, and power draw diagnostics of the display
- Convenient cavity to store localised small format media players (Internal - 356mm x 159mm x 33mm Opening - 306mm x 126 X 56mm)

#### ■ AMBIENT LIGHT SENSOR

Automatically adjusts brightness to best match the lighting conditions, which optimizes the display's power consumption and enhances the viewing experience (optional ALS extender accessory available)

#### ■ HIGH BRIGHT OUTPUT

Offers 2500nits of light output to combat high ambient lighting conditions



#### ■ FULLY-SEALED DESIGN

Highest environmental rating (IP68) prevents the ingress of foreign materials, such as water, dust, moisture and insects, from entering the display

#### ■ IK10 RATED, IMPACT RESISTANT, TEMPERED COVER GLASS

Protects the screen against vandalism and debris

#### ■ M+ TECHNOLOGY

Offers high bright display performance, while also providing up to a 35% decrease in power consumption

#### ■ PATENTED DYNAMIC THERMAL TRANSFER™ SYSTEM

Keeps internal components properly cooled in extreme heat



RoHS 2002/95/EC

FC

CE

IP

UL US

EAC

sales@peerless-av.eu.com

peerless-av.com

**peerless-AV®**  
Driving Technology Through Innovation

**XHB552-EUK 55" Xtreme™ High Bright Outdoor Display**

**LCD Display**

ACTIVE SCREEN SIZE	54.63" (1388mm)
PIXEL PITCH	.210 x .630mm
ASPECT RATIO	16:9
RESOLUTION	1920 x 1080
COLOUR DEPTH	8Bit (16.7 Million Colours)
BRIGHTNESS	2,500cd/m²
BACKLIGHT ADJUSTMENT	Automatic (Ambient Light Sensor)
CONTRAST RATIO	1300:1
VIEWING ANGLE	178° Vertical/Horizontal
RESPONSE TIME	12ms (Grey to Grey)
REFRESH RATE	60Hz
USAGE	24/7

**Display Controller Features**

PICTURE ADJUSTMENT	Brightness, Contrast, Tint, Sharpness, Colour
PICTURE MODE	Standard, Dynamic, Personal, Theater
COLOUR TEMPERATURE ADJUSTMENT	Cool, Normal, Warm, Personal
SCREEN ADJUSTMENT	4:3, 16:9, Full, Zoom
CLOCK, SLEEP TIMER	Yes
V-CHIP	Yes

**Input/Output Connections**

VGA INPUT	15 pin D-SUB (x1)
HDMI INPUT	HDMI (x3), 480i, 480p, 720p, 1080i, 1080p
CVBS INPUT	3.5mm (x1)
YPBPR INPUT	3.5mm (x1)
VGA STEREO AUDIO INPUT	3.5mm (x1)
DISPLAYPORT	DP (x1)
ANALOG AUDIO OUTPUT	3.5mm Headphone Jack (x1)
DIGITAL AUDIO OUTPUT	Optical (x1)
USB DATA INPUT	USB 2.0 A (x1) [Audio, Video, Text & Photo]
RS232	DB-9 (Female)
12VDC 2.5A OUTPUT	2.5mm (x1)
USB POWER 5VDC 2.4A OUTPUT	USB 2.0 A (x1)
IR EXTENDER	3.5mm (x1)
AMBIENT LIGHT SENSOR EXTENDER	3.5mm (x1)
LAN INPUT	RJ-45 (x1)

**Mechanical**

SIZE (W x H x D)	1272 x 742 x 100 mm (50.07" x 29.23" x 3.92")
COLOUR	Black
GLASS	IK10 Rated, Tempered & Anti-reflective
VESA® PATTERN	400 x 200, 400 x 400mm
NET WEIGHT	60kg (133lb)

**Power**

AC INPUT	100 VAC to 240 VAC, 50 to 60 Hz
POWER CONSUMPTION	186W

**Environmental**

OPERATING TEMPERATURE	-35°C - 60°C (-31°F - 140°F)
IP RATING	IP68
SAFETY/EMC	FCC Class A

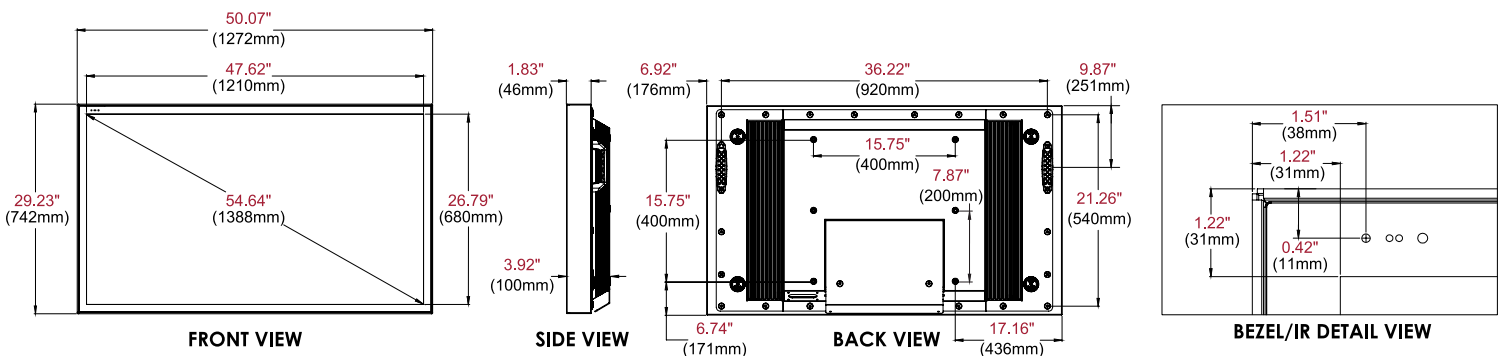
**Package Specifications**

	PACKAGE SIZE (W x H x D)	PACKAGE SHIP WEIGHT	PACKAGE UPC CODE	PACKAGE CONTENTS	PALLET SIZE (W x D)	UNITS IN PACKAGE
XHB552-EUK	1405 x 872 x 212mm (55.31" x 34.33" x 8.35")	66kg (145lb)	735029322597	Display, Waterproof Universal Remote Control, User's Guide, Hex Wrench, Power Cord, IR Extender	1200mm x 1000mm (4x per pallet)	1

**Accessories**

- EDS-VW765-LAND:** SmartMount® Outdoor Full Service Video Wall Mount, Landscape
- EPA762PU:** Outdoor Articulating Wall Mount
- EPT650(-S):** Outdoor Universal Tilt Wall Mount
- ESA763PU:** Outdoor Articulating Wall Mount
- ESF655P:** Outdoor Universal Flat Wall Mount, Portrait
- ECMU:** Wind Rated Ceiling Mount
- EPMU:** Wind Rated Pedestal Mount
- EWMU:** Wind Rated Wall Mount
- ACCD-05K:** 5 Volt Accessory Kit
- ACCD-12K:** 12 Volt Accessory Kit
- ACCD-ALG:** Analog Accessory Kit
- ACCD-ALS:** Ambient Light Sensor Extender
- CLCOV-LG-BLK:** Display Cover - Large
- KOP555-XHB-EUK:** 55" Outdoor Portrait Kiosk
- KOL555-XHB-EUK:** 55" Outdoor Landscape Kiosk
- KOP2555-XHB-EUK:** 55" Outdoor Portrait Kiosk

All dimensions = inch (mm)



**Architect Specifications**

The Xtreme™ High Bright Outdoor Display shall be a Peerless-AV model XHB552-EUK and shall be located where indicated on the plans. Assembly and installation shall be done according to instructions provided by the manufacturer.

Visit [peerless-av.com](http://peerless-av.com) to see the complete line of AV solutions from Peerless-AV, including outdoor displays, wireless, kiosks, digital audio, display mounts, projector mounts, carts/stands, and a full assortment of accessories.

**Peerless-AV**  
2300 White Oak Circle  
Aurora, IL 60502 USA  
**(800) 865-2112**  
**(630) 375-5100**  
**Fax: (800) 359-6500**

**Peerless-AV EMEA**  
Unit 3 Watford Interchange  
Colonial Way, Watford  
Herts, WD24 4WP  
United Kingdom  
**+44 (0) 1923 200100**  
**Fax: +44 (0) 1923 200101**

**Peerless-AV Latin America**  
Ave de las Industrias 413  
Parque Industrial Escobedo  
Escobedo, N.L.,  
Mexico 66062  
**+52 (81) 8384-8300**  
**Fax: +52 (81) 8384-8360**

