



DLD8500-I 85" TFT LCD, LED Backlight 2000nits, UHD (3840x2160)

The DLD8500-I is 85 inch industrial grade sunlight readable LCD, with high brightness 2000 nits and high color saturation, it produce sharp images, crisp text and lifelike colors. The Durapixel LED backlight technology ensures high reliability and low power consumption, suitable for outdoor application, kiosk, digital signage in retail stores, conference rooms, broadcast studios, public information.

Key Features

- 85" 4K2K High resolution
- High brightness 2000nits immersive technology
- High color saturation, stunning visual clarity display
- Long lasting 24/7 operations
- Stylish, slim and lightweight design.
- BL MTBF: 100,000 hours



Specifications

Model Name	DLD8500-I
Description	85" TFT LCD, LED Backlight 2000nits, UHD(3840x2160)
Screen Size	85"
Display Area (mm)	1872(H)*1053(V)
Brightness	2000 cd/m ²
Resolution	3840 x 2160
Aspect Ratio	16 : 9
Contrast Ratio	4000 : 1
Pixel Pitch (mm)	0.4875(H) x 0.4875(V)
Pixel Per Inch (PPI)	52
Viewing Angle	178°(H),178°(V)
Color Saturation (NTSC)	90%
Display Colors	1.07 G
Response Time (Typical)	9.5ms
Panel Interface	V by One
AD Board Input Interface	DVI-D, HDMI, DP
Input Power	AC100~240V
Power Consumption	827W
OSD Key	5 Keys (Power Switch, Menu, +, Exit, -)
OSD Control	Brightness, Color, Contrast, Auto Turing, H/V Position...etc
Dimensions (mm)	1902 x 1083 x 107.8 mm
Bezel Size(U/B/L/R)	15/15/15/15 mm
Weight (Net)	80kg
VESA Mounting	500x400, 500x600 mm
Operating Temperature	0 °C ~ 50 °C
Storage Temperature	-20 °C ~ 60 °C

DLD= Panel + LED Driving Board + AD Control Board + Chassis

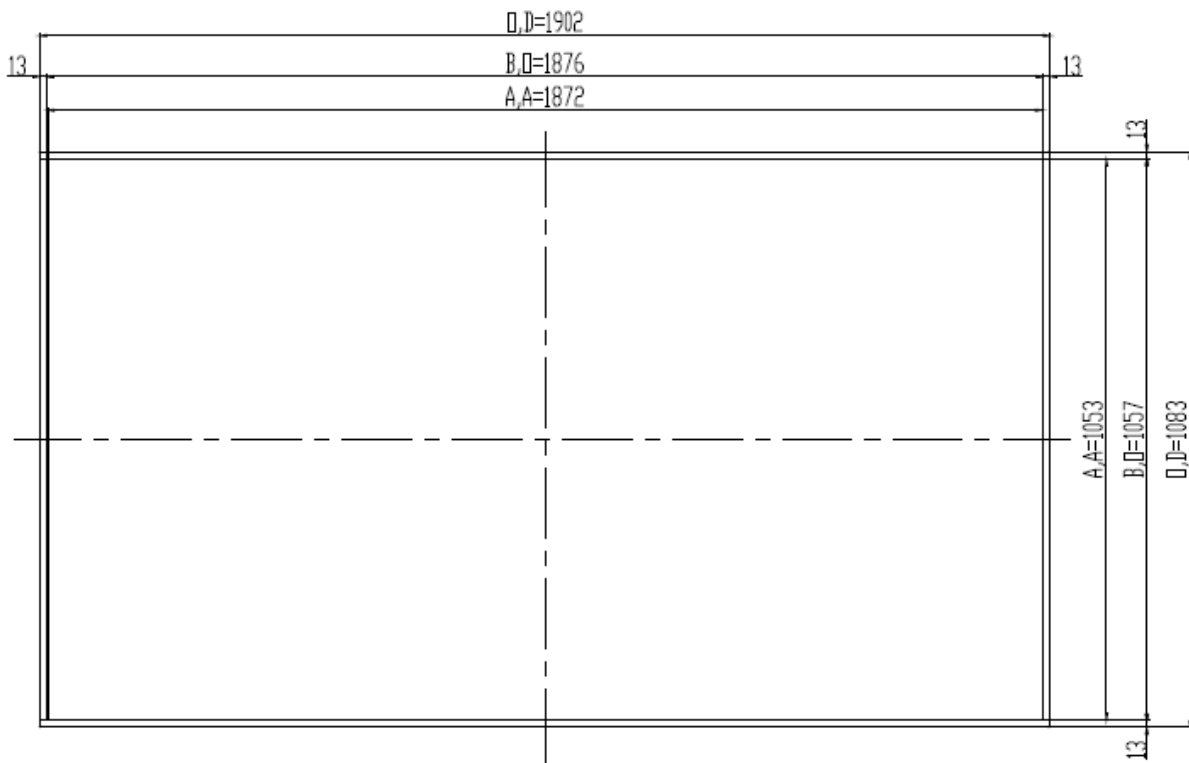
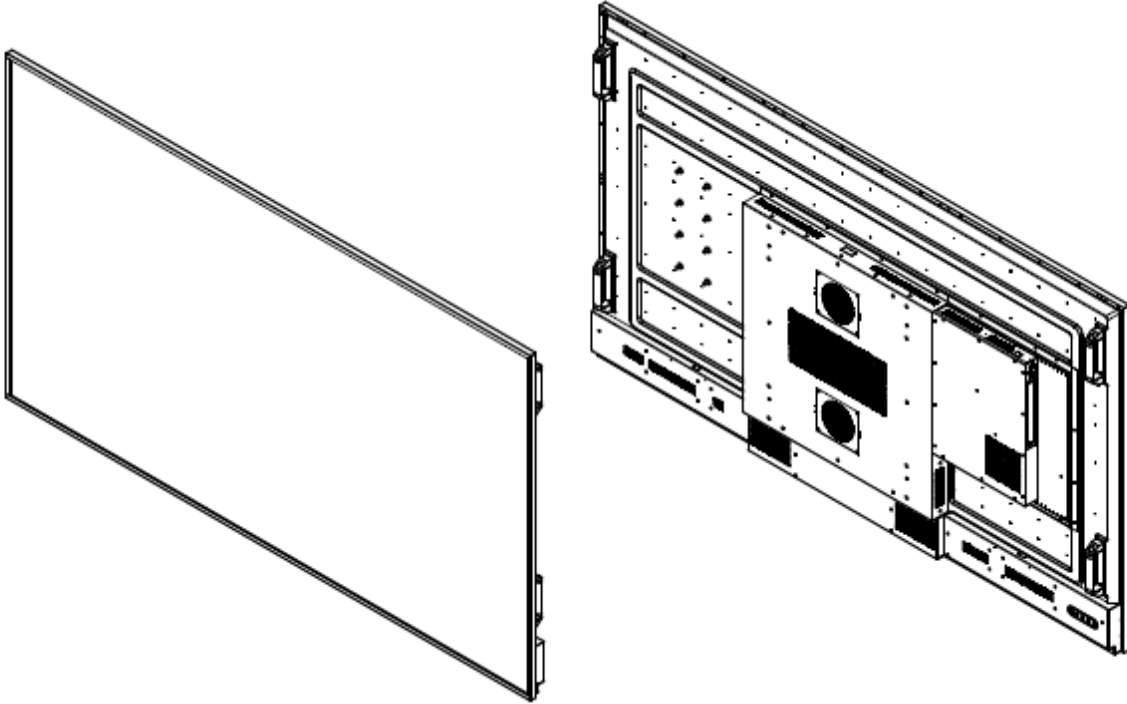
Specifications are subject to change without notice.
All brands or product names are trademarks or registered trademarks of their respective companies.

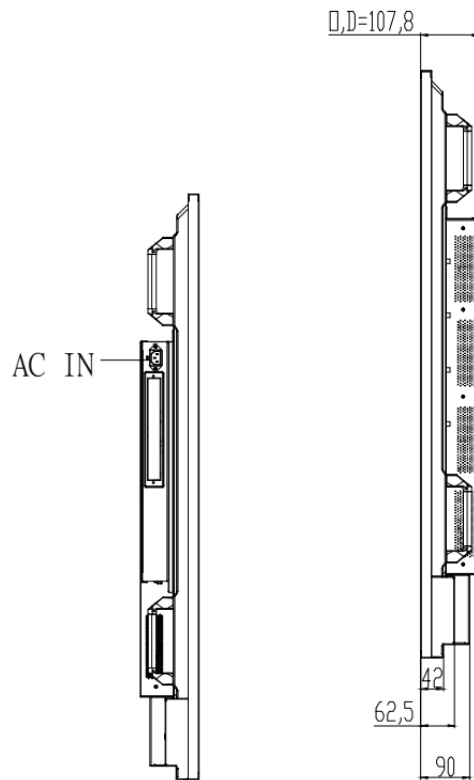
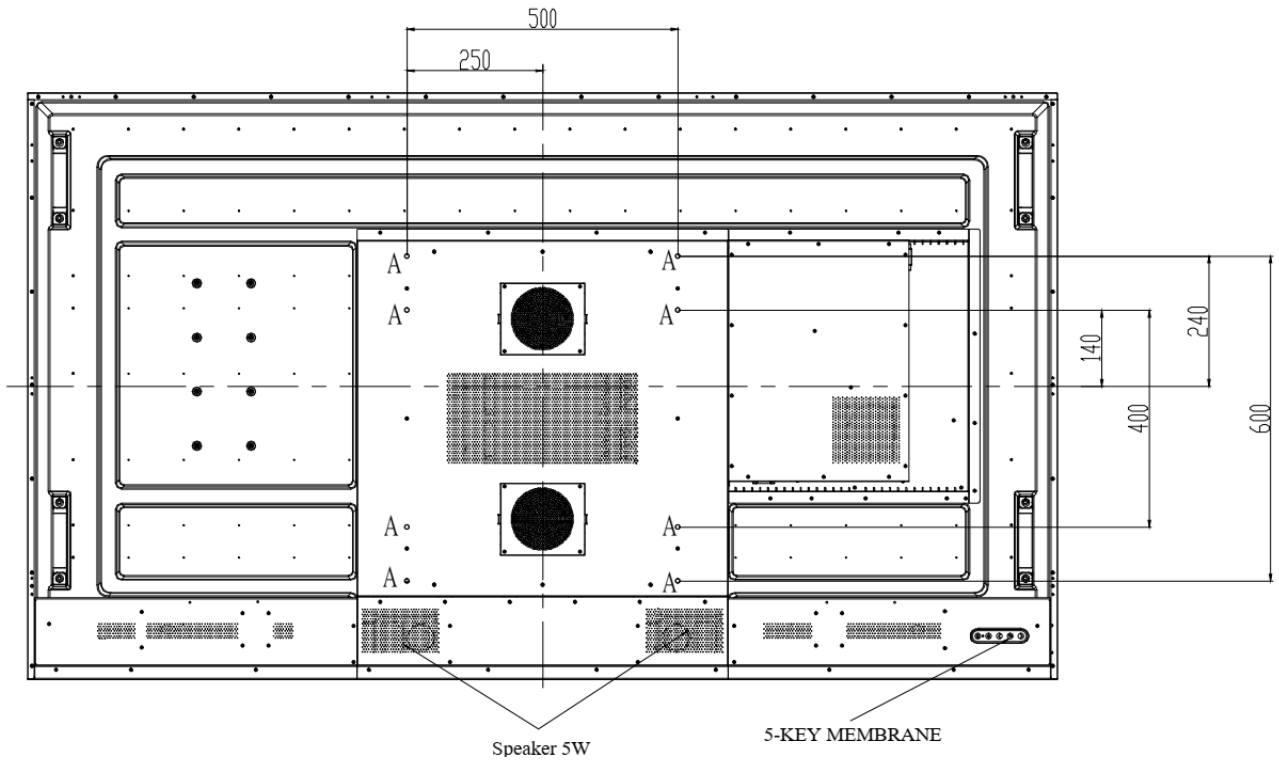


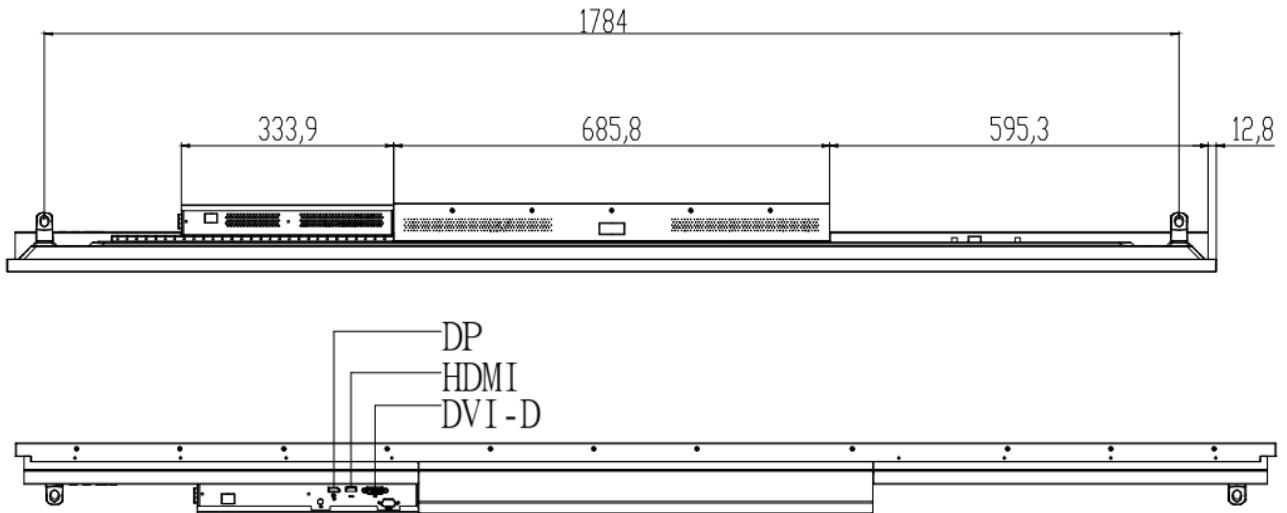
Mechanical Drawing

Outline Dimensions

Unit:mm







Note
 O.D : Outline Dimension
 B.O : Bezel Opening
 A.A : LCD Active Area
 A:8-M8 USER HOLE _MAX. DEPTH=20mm

Ordering Information

Part Number	Description
DLD8500-INU-N01	85",2000nits,3840*2160,LID85C,AD2796DHP,speaker*2,O/B,AC100~240V,V1

Optional Accessories

Part Number	Description
810618301010	CABLE.POWER.AC.1830mm USA type
810618301090	CABLE,POWER,AC,1830mm Europe type
810618301050	CABLE.POWER.AC.1830mm UK type
810618301170	CABLE.POWER,AC,1830mm Australia type
810618301031	CABLE.POWER.AC.1830mm Japan type

Customer request

Touch	PCT (Multi-Touch)
Glass	Tempered glass, AR coating.....